

ONE[®]
FOR ALL

UNIVERSAL FALCON TV STAND

QUICK INSTALLATION GUIDE

WM7481 / WM7482



Before returning this product please call us for support

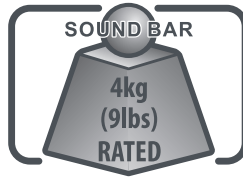
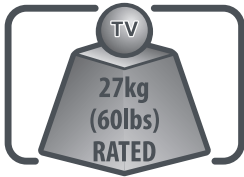
Customer Support:
866-812-6532
(toll free)

OFA warranty/terms & conditions: 855-569-6595 (toll free)

www.oneforall.com

Imported into the US by:
Universal Electronics Inc.
UEI Technical Support Services, Suite 301, 26250 Eudid Ave.
Eudid, OH 44132

One For All is a registered trademark of UEI, Made in China Hecho en China



Universal

200 x 200 | 300 x 200

300 x 300 | 400 x 200

400 x 300 | 400 x 400



Safety Disclaimer

This product includes an anti-tip kit that must be used in conjunction with the product and will prevent the product from falling or tipping over. Please follow the enclosed information to properly install these safety accessories. In no event shall the Seller be liable for any direct, indirect, punitive, incidental, special consequential damages, to property or life, whatsoever arising out of or connected with the use or misuse of this product.

WARNING:

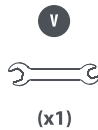
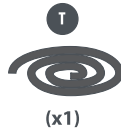
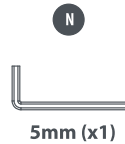
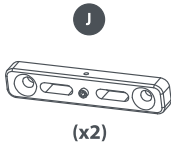
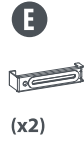
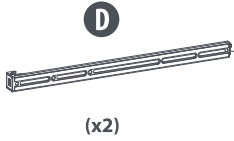
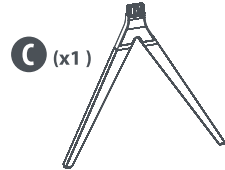
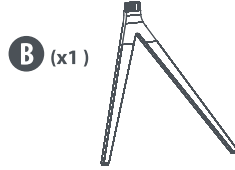
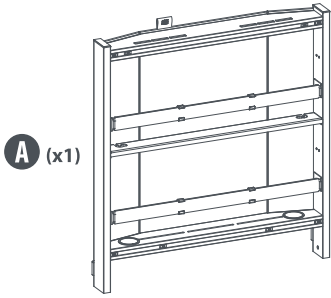
- Exceeding the weight capacity can result in serious personal injury or damage to equipment!
- Death or serious injury may occur when children climb on audio and/or video equipment furniture. A remote control or toys placed on the furnishing may encourage a child to climb on the furnishing and as a result the furnishing may tip over onto the child.
- Relocating audio and/or video equipment to furniture not specifically designed to support audio and/or video equipment may result in death or serious injury due to the furnishing collapsing or overturning onto a child.

Note: Suitable for General use. contains no user serviceable parts.

AVERTISSEMENT:

- Le dépassement de capacité de poids peut causer de graves blessures corporelles ou endommager le matériel !
- Des risques de blessures graves ou mortelles peuvent survenir lorsque des enfants grimpent sur des meubles contenant de l'équipement audio et/ou vidéo. Une télécommande ou des jouets placés sur l'ameublement et, par conséquent, l'ameublement peut basculer ou tomber sur l'enfant.
- Risque de blessures graves, voire mortelles peut survenir. Le déplacement de l'équipement audio et/ou vidéo sur un meuble non conçu spécifiquement pour accueillir de l'équipement audio et/ou vidéo peut entraîner des blessures graves, voire mortelles, en raison de l'effondrement ou du renversement de l'équipement sur un enfant.

Remarque: Convient pour un usage général. Ne contient aucune pièce réparable par l'utilisateur.



M-A



M5x14mm (x4)

M-B



M6x14mm (x4)

M-C



M6x30mm (x4)

M-D



M8x30mm (x4)

M-E



M8x50mm (x4)

M-F



(x4)

M-G



(x8)

M-H



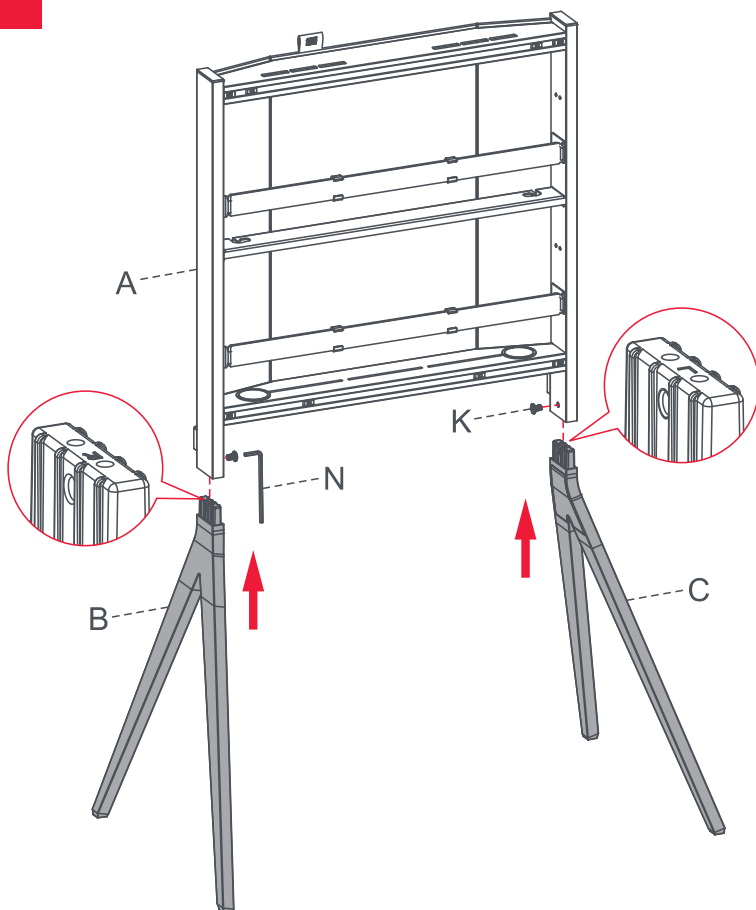
(x8)



START

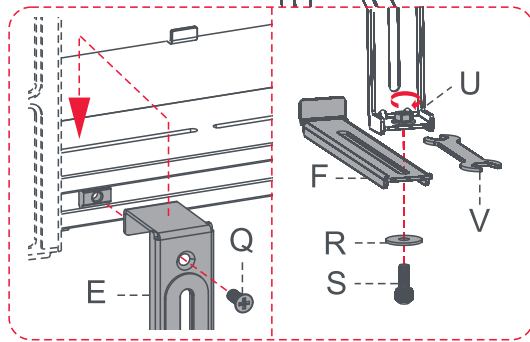
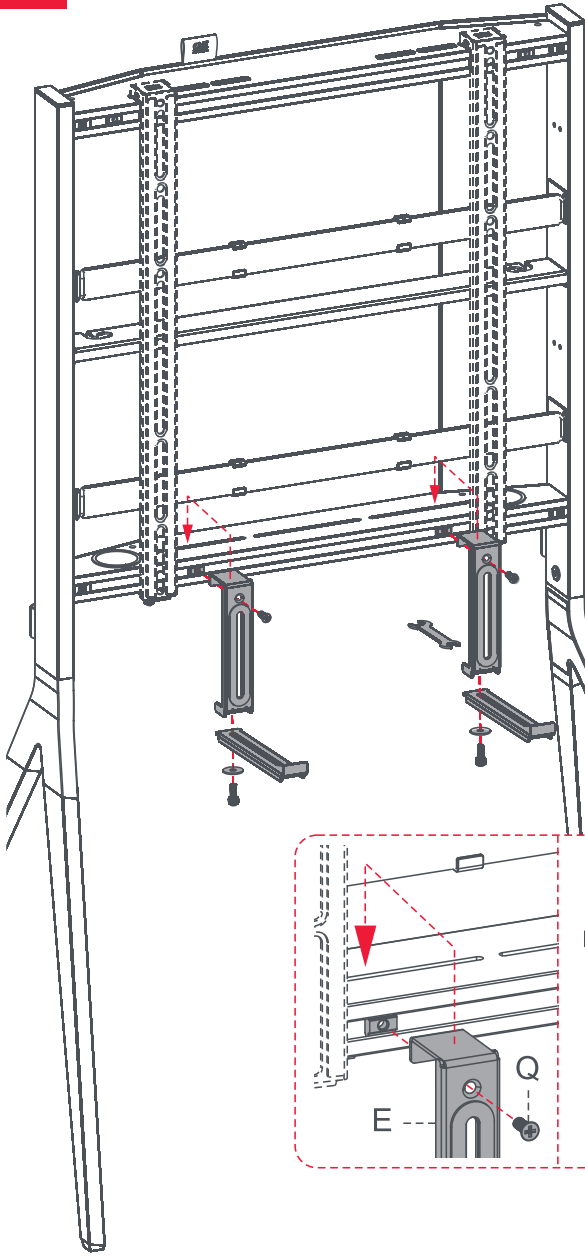


1



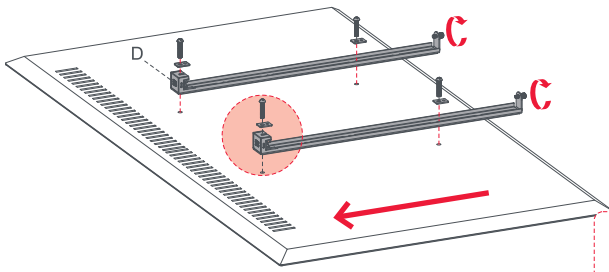


2

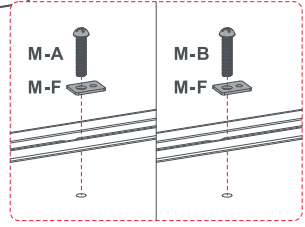
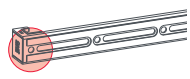




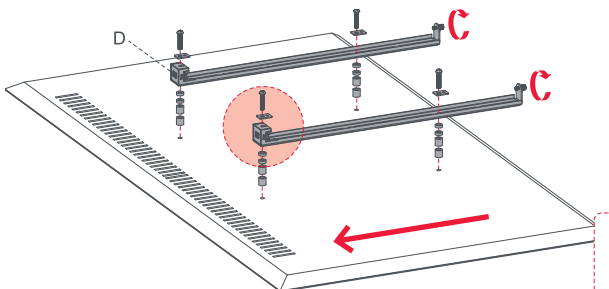
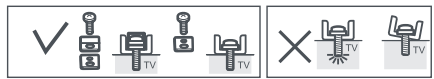
3a



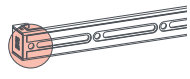
Note: It is recommended to use the round holes found on the brackets to attach them to the back of the TV using the appropriate screws and washers provided. If the round holes do not line up with VESA holes found on the TV, or if the screws don't fit you can use the slot holes on the bracket to mount the TV - and if using the slots, you must firmly tighten the screws to prevent the TV from sliding down the brackets.



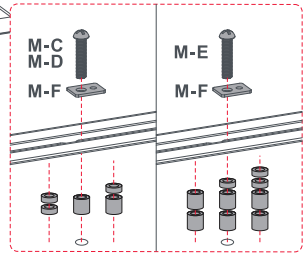
3b

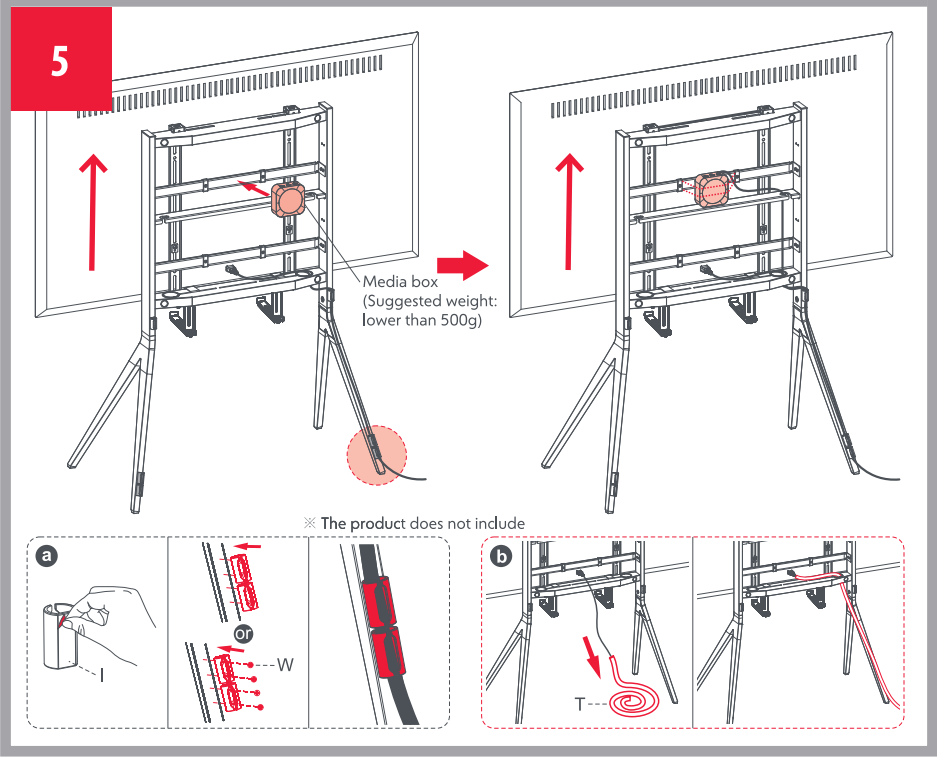
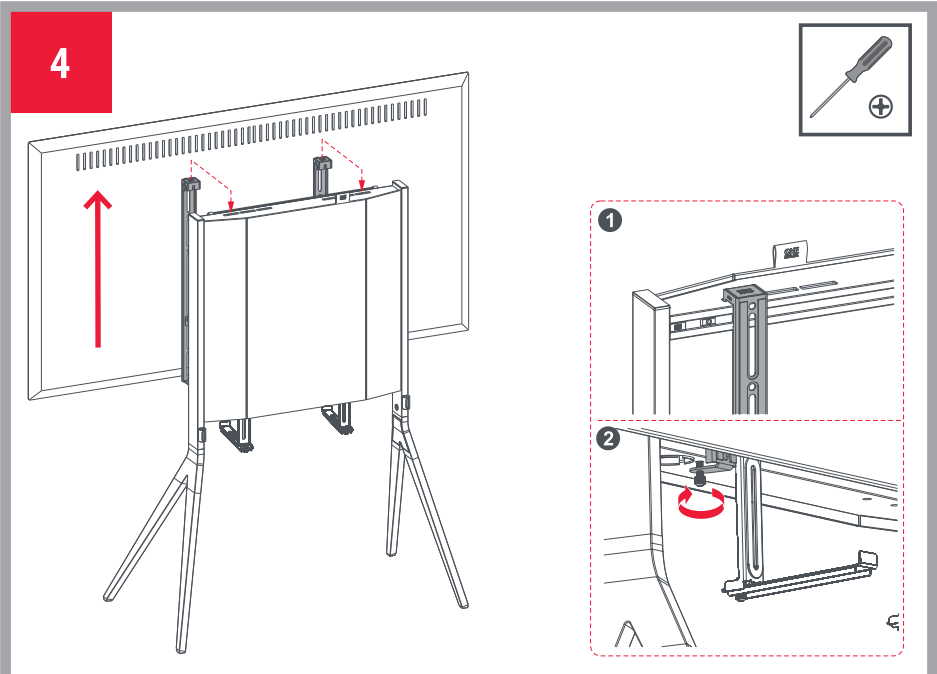


Note: It is recommended to use the round holes found on the brackets to attach them to the back of the TV using the appropriate screws and washers provided. If the round holes do not line up with VESA holes found on the TV, or if the screws don't fit you can use the slot holes on the bracket to mount the TV - and if using the slots, you must firmly tighten the screws to prevent the TV from sliding down the brackets.



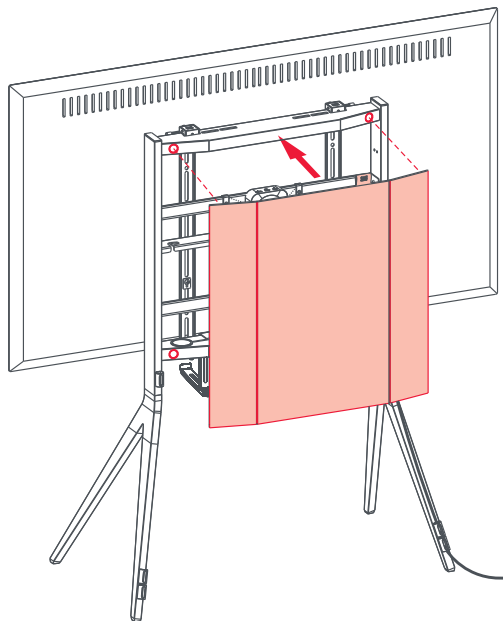
M-G
M-H



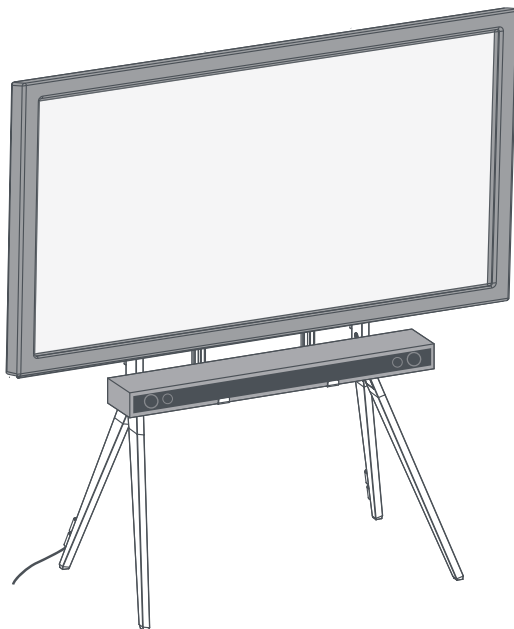




6



7





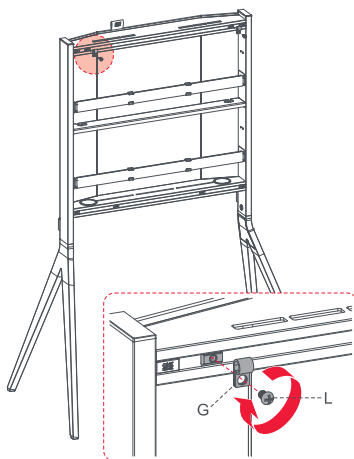
8a

EXTRA

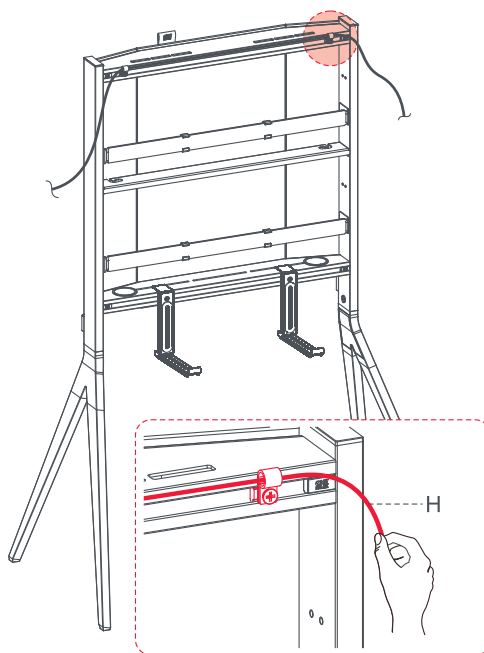
To avoid TV falling, anti-fall wire rope should be installed.



H

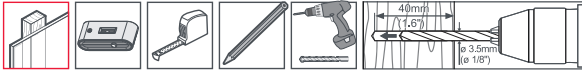


8b

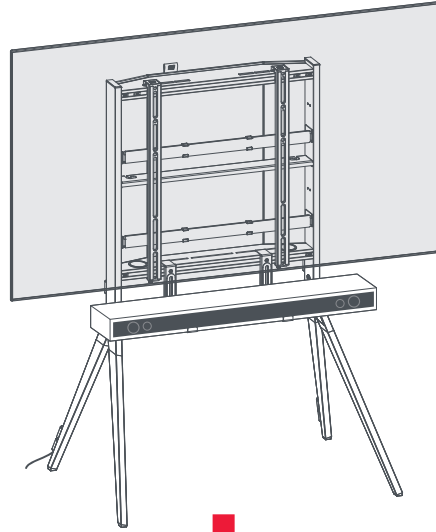




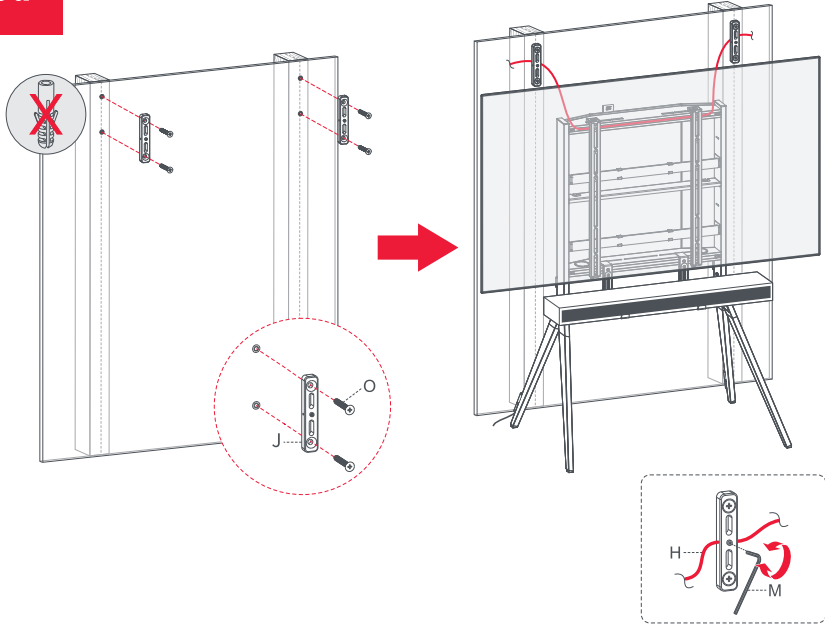
8c



EXTRA

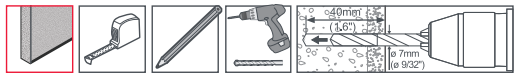


8d

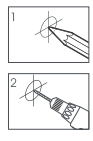
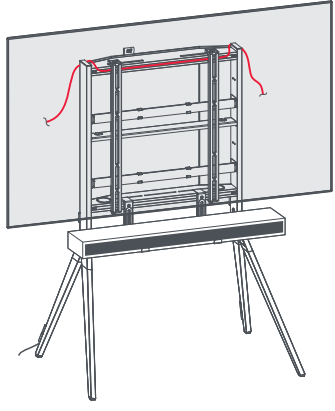
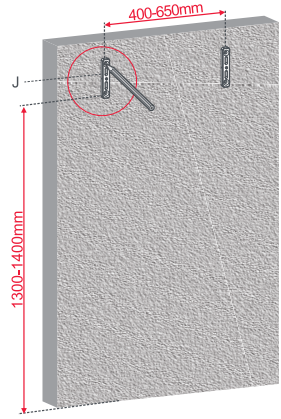




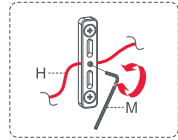
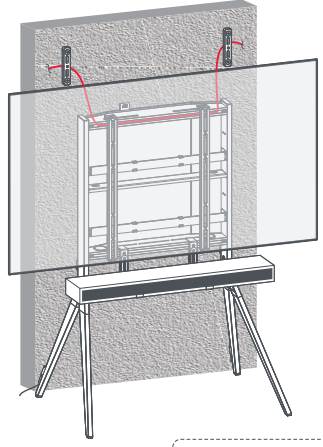
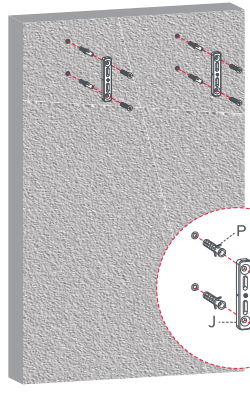
8e

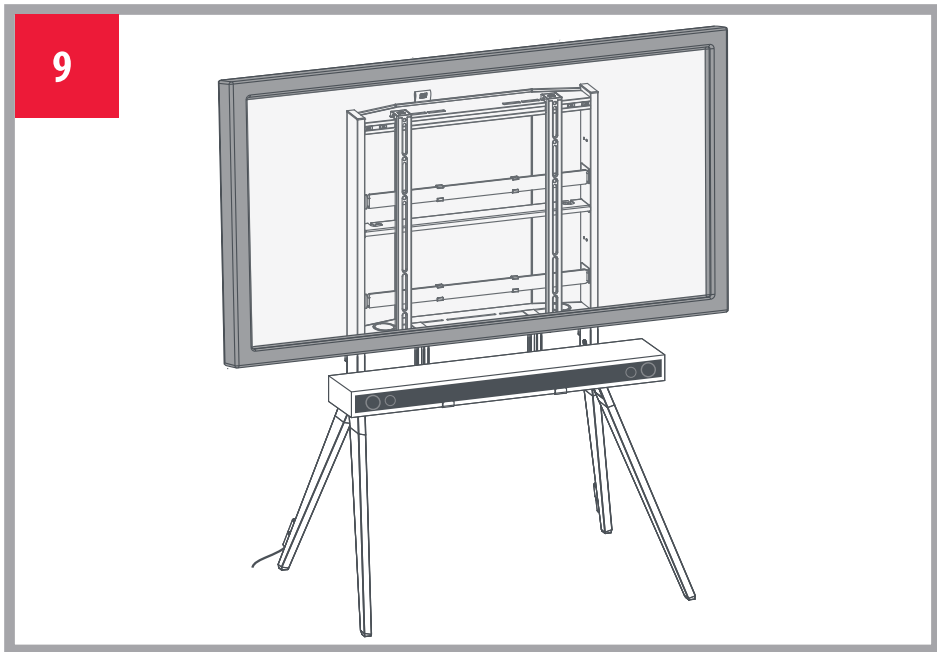


EXTRA



8f





WARRANTY / GUARANTEE INFORMATION

1 Year Limited Warranty against defects in material and workmanship can be found at www.oneforall.com/warranty, or you may request a hard copy by calling 866-812-6530, or via mail to UEI Technical Support Service, Suite 301, 26250 Euclid Ave., Euclid, OH 44132. Please include your full name, product information, and contact information in your request communication.

LIMITED WARRANTY

Warranty: Universal Electronics Inc. warrants this product to be free from defects in material and workmanship for a period of one year from the date of purchase. This warranty does not apply to damage caused by shipping or handling, or damage caused by accident, abuse, misuse, misapplication, ordinary wear, improper maintenance, failure to follow instructions or as a result of any unauthorized modifications. The foregoing warranty shall apply only to the original buyer, and is and shall be in lieu of any and all other warranties, whether expressed or implied and of all other obligations or liabilities on the part of Universal Electronics Inc. neither assumes responsibility for, nor authorizes any other person purporting to act on its behalf to modify or to change this warranty, nor to assume for it any other warranty or liability concerning this product. The maximum liability for Universal Electronics Inc. under all circumstances for any warranty issue shall be limited to a replacement of the defective product. It is recommended that the customer check their equipment on a regular basis for proper operation.

Remedies: Your exclusive remedy under this Limited Warranty is that Universal Electronics Inc., at its option, will repair or replace, without charge for parts and/or labor, the product found to be defective.

Service Procedure: To obtain warranty service, visit www.oneforall.com/warranty and complete the form with your full name, contact information, product serial number, and description of the issue along with a legible copy/image of your sales receipt showing date of purchase.

Disclaimer: THE FOREGOING LIMITED WARRANTY IS THE SOLE AND EXCLUSIVE WARRANTY BY UNIVERSAL ELECTRONICS INC. WITH RESPECT TO THE PRODUCTS. THERE ARE NO OTHER REPRESENTATIONS OR WARRANTIES, EXPRESS OR IMPLIED, EXCEPT AS REQUIRED BY APPLICABLE LAW. ANY IMPLIED WARRANTIES REQUIRED BY LAW ARE LIMITED IN DURATION TO WARRANTY PERIOD PROVIDED HEREIN. SOME STATES DO NOT ALLOW LIMITATIONS ON HOW LONG AN IMPLIED WARRANTY LASTS, SO THE ABOVE LIMITATIONS MAY NOT APPLY TO YOU. IN NO EVENT SHALL UNIVERSAL ELECTRONICS INC. OR ANY OF ITS AFFILIATES BE LIABLE FOR ANY INCIDENTAL, SPECIAL, INDIRECT, CONSEQUENTIAL, OR MULTIPLE DAMAGES, INCLUDING BUT NOT LIMITED TO, LOST PROFITS, LOST OR DAMAGE TO SOFTWARE OR DATA, OR DAMAGE TO EQUIPMENT ARISING OUT OF THE USE OF ANY PRODUCT, EVEN IF ADVISED OF THE POSSIBILITY OF SUCH DAMAGES. THIS STANDARD WARRANTY GIVES YOU SPECIFIC LEGAL RIGHTS, AND YOU MAY ALSO HAVE OTHER RIGHTS, WHICH MAY VARY FROM STATE TO STATE. SOME STATES DO NOT ALLOW THE EXCLUSION OR LIMITATION OF INCIDENTAL OR CONSEQUENTIAL DAMAGE, SO THE ABOVE LIMITATIONS MAY NOT APPLY TO YOU.

Customer Support: 866-812-6532 (toll free)

WM7481 / WM7482, 712942, **RDN-1090721**

Universal Electronics BV – Europe & International P.O. Box 3332, 7500 DH Enschede, The Netherlands