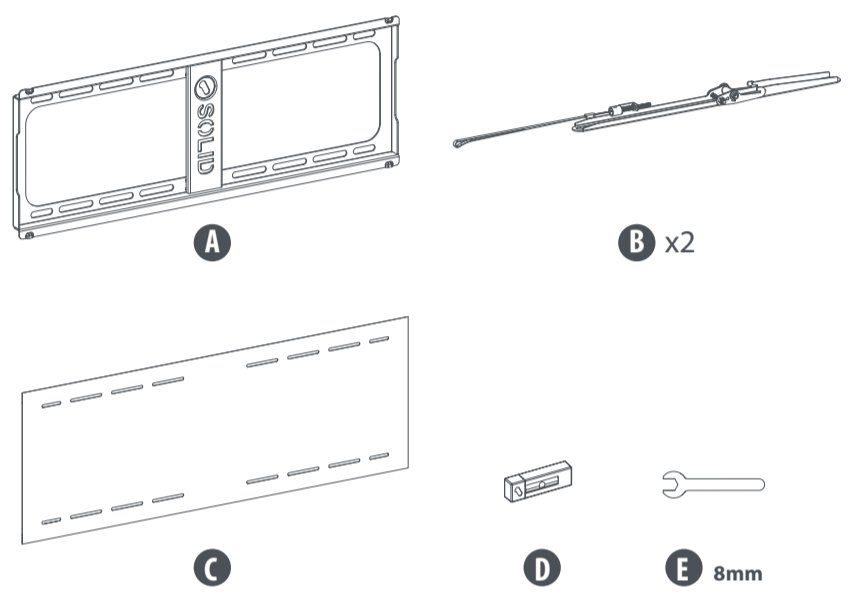






Universal  
400 x 400 max



**Package M**

- M-A 4 x M4x28mm
- M-B 4 x M6x14mm
- M-C 4 x M6x30mm
- M-D 4 x M8x16mm
- M-E 4 x M8x30mm
- M-F 4 x D5
- M-G 4 x D8
- M-H 4 x ø15xø8x5mm
- M-I 4 x ø15xø8x15mm

**Package W**

- W-A 4 x ST6.3x55mm
- W-B 4 x ø10x50mm
- W-C 4 x D6



Universal Electronics BV - Europe & International  
P.O. Box 3332, 7500 DH Enschede  
The Netherlands  
WNM425  
714433  
RDN-1301025

**START**

1

**2**

**WARNING**

Please verify that the supporting surface will safely support the combined weight of the equipment and all attached hardware and components

3a

3b

4

TOP

5

2+

6

Note: If the display does not stop at your desired position, adjust the two side screws alternately using the tools as shown.

**FINISH**