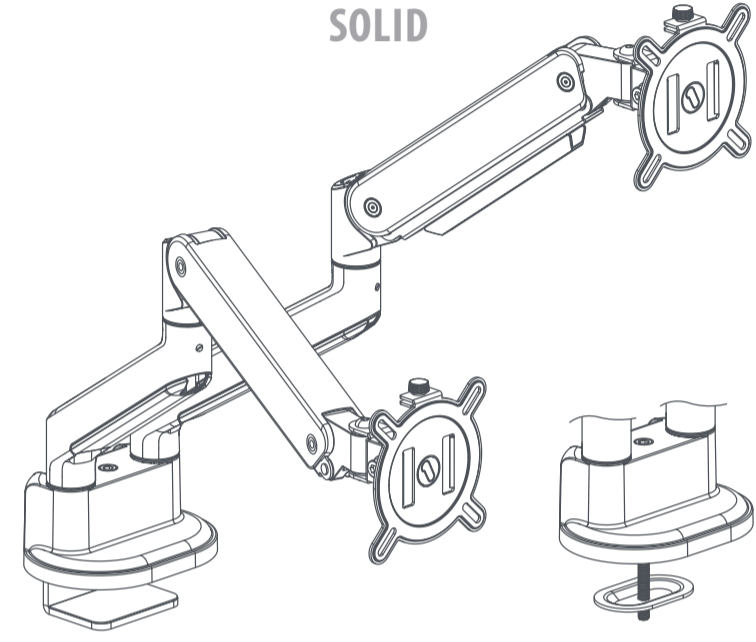


**QUICK INSTALLATION GUIDE**  
**GUIDE D'INSTALLATION RAPIDE**

**DM4210/DM4220**

SOLID



ONE FOR ALL  
**ASSISTANT APP**



**ENGLISH**

Congratulations on the purchase of this One for All product! The product you now have in your possession is made of durable materials and is based on a design, every detail of which has been meticulously thoughtout. That is why One for All gives you a 10-year guarantee for defects in materials or manufacturing.

**GUARANTEE TERMS AND CONDITIONS**

1. One for All guarantees that if during the guarantee period of a product, faults arise due to defects in manufacturing and/or materials, it will, at its discretion, repair or if necessary replace the product, free of cost. A guarantee for normal wear and tear is hereby expressly excluded.
2. If the guarantee is invoked, the product should be sent to One for All together with the original purchase document (invoice, sales slip or cash receipt). The purchase document should clearly show the name of the supplier and the date of purchase.
3. One for All guarantee shall lapse in the following cases: - If the product has not been drilled, installed and used in accordance with the Instructions for Use; - If the product has been altered or repaired by someone a party other than One for All; - If a fault arises due to external causes (outside the product) such as for example lightning, water nuisance, fire, scuffing, exposure to extreme temperatures, weather conditions, solvents or acids, wrong use or negligence; - If the product is used for different equipment than is mentioned on or in the packing.

UNIVERSAL ELECTRONICS BV, COLOSSEUM 2, 7521 PT ENSCHEDE, THE NETHERLANDS

**WARNING**

Correct installation is extremely essential, and falls outside the scope of responsibility of One for All. The fastening material provided is exclusively intended for installation on walls made of solid wood, bricks, concrete or solid-wood columns with a maximum of 3 mm wall finishing. For walls made of other materials, for example hollow bricks, please consult your installer and/or specialist supplier. During installation, please also follow the instructions for installation and use of the apparatus to be installed/fixe (for example the LCD/plasma screen).

**FRANÇAIS**

Nous vous felicitons pour l'achat de ce produit One for All ! Vous venez d'acquérir un produit realise a partir de materiaux durables et d'une conception ingenieuse jusque dans les moindres details. One for All est ainsi en mesure de garantir ses produits pendant 10 ans contre les defauts de materiaux et de fabrication.

**CONDITIONS GÉNÉRALES DE GARANTIE**

1. One for All garantit que, si le produit presente - pendant la periode de garantie - un probleme consecutif a des defauts de materiaux et/ou de fabrication, le produit sera gratuitement repare ou remplace (a l'appréciation de One for All). L'usure normale est expressement exclue de la garantie.
2. S'il est fait appel a la garantie, le produit doit etre remis a One for All avec presentation de la preuve d'achat originale (facture, ticket de caisse ou quittance). La preuve d'achat doit clairement mentionner le nom du fournisseur et la date d'achat.
3. La garantie de One for All prend fin dans les cas suivants: - si le produit n'est pas fore, assemble et utilise conformement aux instructions du mode d'emploi; - si le produit a subi des modifications ou des reparations par des tiers autres que One for All; - si le probleme est la consequence de facteurs externes (exterieurs au produit) tels que foudre, degats des eaux, incendie, eraflures, exposition a des temperatures extremes, intemperies, solvants ou acides, mauvaise utilisation ou negligence; - si le produit est utilise pour des appareils autres que ceux specifiés sur ou a l'interieur de l'emballage.

UNIVERSAL ELECTRONICS BV, COLOSSEUM 2, 7521 PT ENSCHEDE, PAYS-BAS

**AVERTISSEMENT**

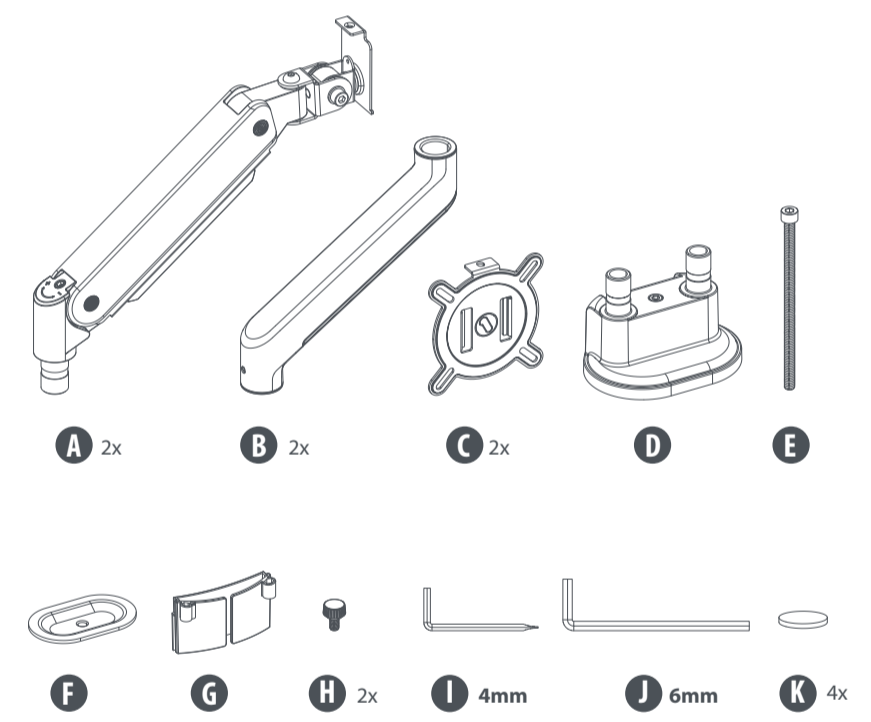
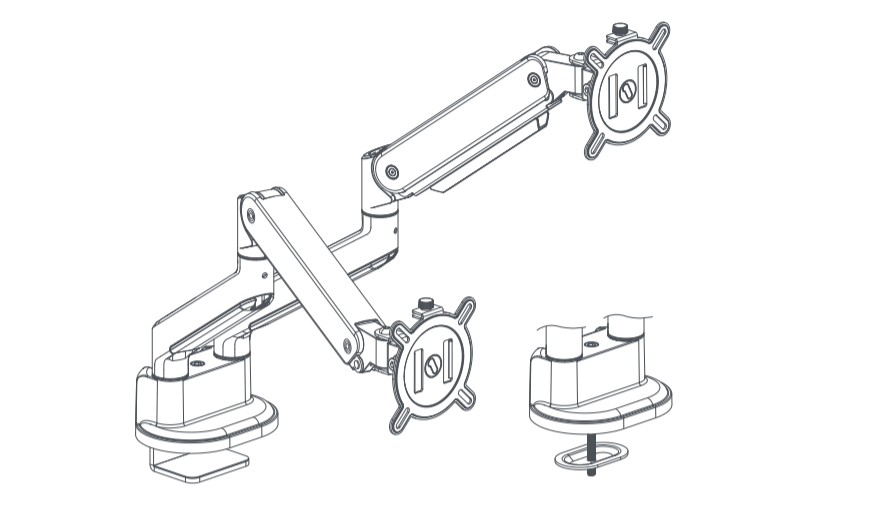
Le montage correct est d'une importance fondamentale et ne releve pas de la responsabilite de One for All. Le materiel de fixation fourni est uniquement prevu pour un montage sur des parois en bois massif, en briques, en beton ou sur des piliers en bois massif, avec une finition de 3 mm maximum. Veuillez consulter votre installateur et/ou votre detaillnant specialise pour les parois constituees d'autres materiaux, comme la brique creuse. Lors du montage, il convient egalement de respecter les consignes d'installation et d'utilisation du materiel a placer/fixer proprement dit (par exemple, de l'ecran LCD/plasma).

Connect with us





Universal  
100 x 100 max



**Package M**

- M-A 8 x M4x12mm
- M-B 8 x M4x16mm
- M-C 8 x M5x12mm
- M-D 8 x M5x16mm
- M-E 8 x D5
- M-F 8 x ø15xø8x5mm

Separate the waste  
Differenzia i Rifiuti

<http://www.oneforall.com/documents>

DM4210/DM4220  
P.O. Box 3332, 7500 DH Enschede  
The Netherlands  
RDN-1300425

**START**

**1**

**2a CLAMP INSTALLATION**  
for 10-50mm thickness desks

**2b GROMMET INSTALLATION**  
for 10-50mm thickness desks  
& Ø10-60mm installation holes

**3**

**4**

**5**

**7**

**Note:** If the display does not stop at your desired position, adjust the screws using the tools as shown.

**CAUTION:** DO NOT rotate the monitor past rear edge of desk to avoid an unstable situation that may cause tipping.

**6**

Before adjusting the spring tension and during the adjustment process, **position and hold the arm horizontally as shown**. Use the supplied Allen Key for adjustment. Ask for assistance should you require it.

If the arm **drops**, turn the adjustment screw in the + direction until it remains in a horizontal position.

If the arm **rises**, turn the adjustment screw in the - direction until it remains in a horizontal position.

**CAUTION:** DO NOT over tighten the screws.

**FINISH**