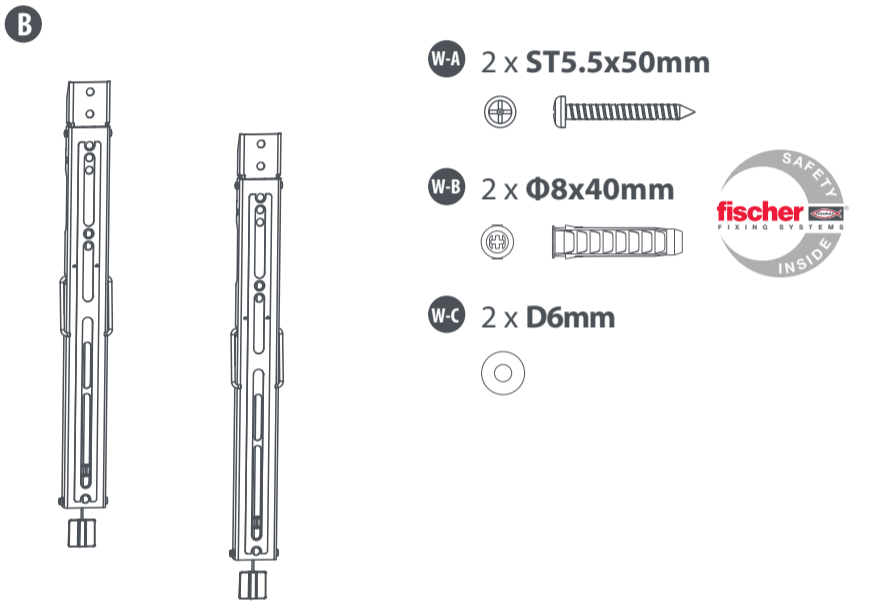
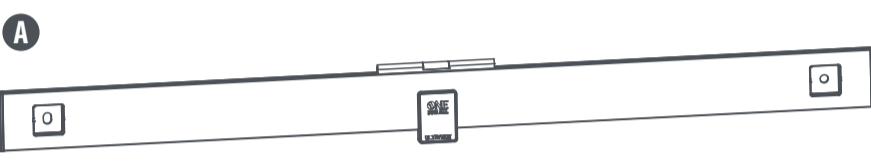


Universal
400 x 600 max



- M-A 4 x M5x14mm
- M-B 4 x M6x14mm
- M-C 4 x M6x30mm
- M-D 4 x M8x30mm
- M-I 4 x M8x12mm
- M-E 4 x M8x50mm
- M-F 4 x D6mm
- M-G 8 x ø15xø8x5mm
- M-H 8 x ø15xø8x15mm



Universal Electronics B.V. - Europe & International
P.O. Box 3332, 7500 DH Enschede
The Netherlands
WM6671
710957
RDN-1150323

START

1

DRILL GUIDE

2

WARNING

Please verify that the supporting surface will safely support the combined weight of the equipment and all attached hardware and components

55 mm
ø8mm

50 mm
ø4mm

3

4

TV

5

6

RELEASE

CLICK!

FINISH