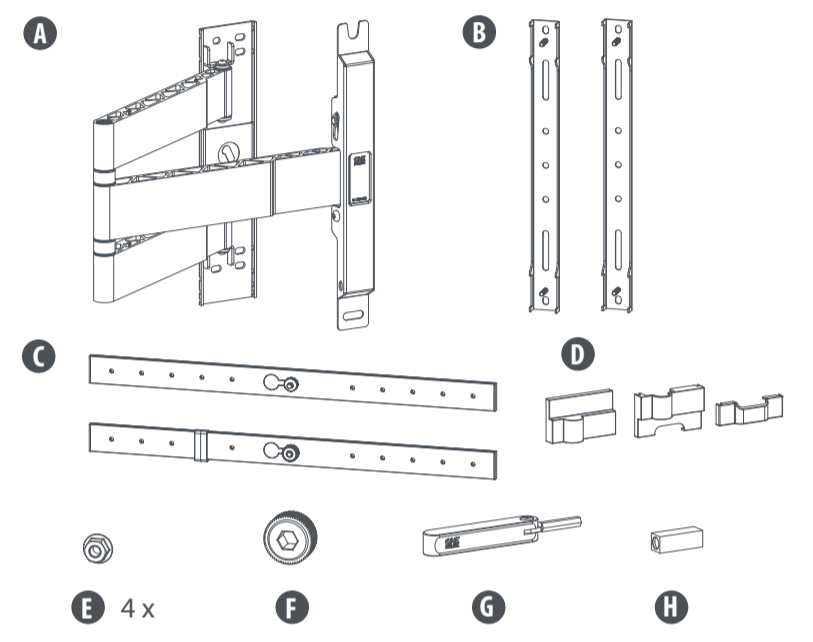


Universal  
600 x 400 max



- M-A 4 x M5x14mm
- M-B 4 x M6x14mm
- M-C 4 x M6x30mm
- M-D 4 x M8x30mm
- M-E 4 x M8x50mm
- M-I 4 x M8x12mm
- M-F 4 x D6mm
- M-G 8 x ø15xø8x5mm
- M-H 8 x ø15xø8x15mm
- W-A 4 x ST6.3x55mm
- W-C 4 x D6mm
- W-B 4 x Ø10x50mm



Universal Electronic BV - Europe & International  
P.O. Box 3332, 7200 DH Enschede  
The Netherlands  
WM6654  
713334  
RDN-11.50323

**START**

1

**2**

**WARNING**

Please verify that the supporting surface will safely support the combined weight of the equipment and all attached hardware and components

**3**

**4**

**5**

**6**

**7**

Please make sure that the small nut (A) is tightened

**8**

**FINISH**